

DF015 Electric leg-set

This set of desk legs is the ideal solution for the furniture manufacturer, who wants to design and produce their own table top and panel for mounting inbetween the columns.

The products comes complete with a transmission bar, that connects the 2 legs and ensures a perfect horizontal motion. The transmission bar is telescopic.

Desk legs are powder coated in silver, RAL9006.

Features:

- Lifting capacity 80 kg
- Height range 66-118 cm
- Speed 25 mm per second



VENSET®

Electrical movement in furniture and buildings

DF015 component specifications

Lifting column

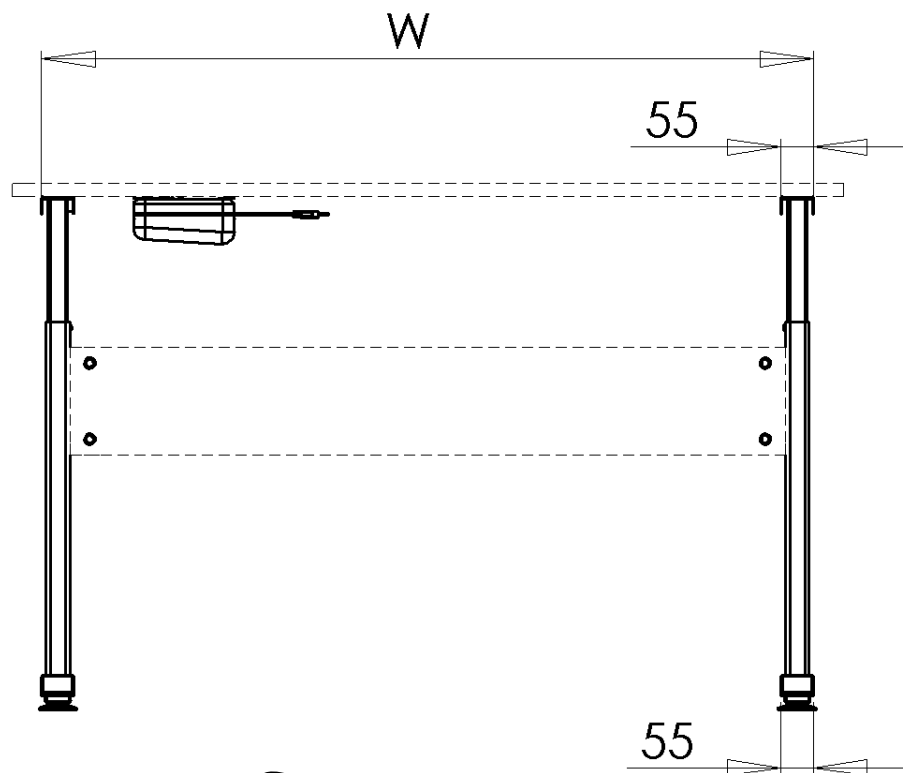
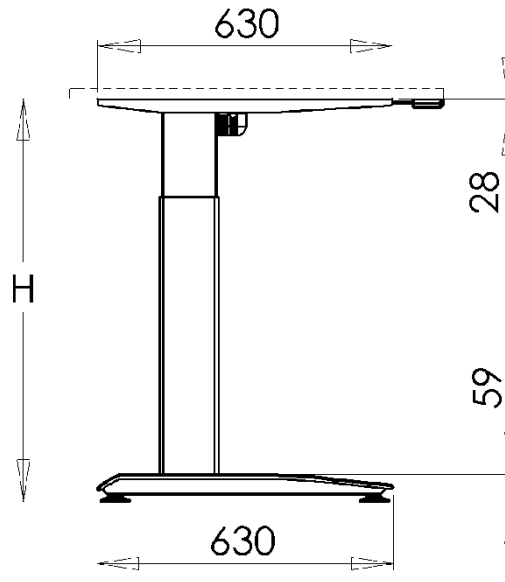
Metal sheet parts: St. 37-2
Gear parts: St. 70-2
Gearmotor: CSE 24V 300047
Plastic parts: PEHD, POM
Surface treatment: Visible metal parts powder coated in silver, RAL 9006
Non visible metal parts surface treated (e.g. plated)

Power supply

Linear power supply
Input: 200-240 VAC • 56/60Hz • 1,2 A
Output: 30 VDC • 2 Amp

Control unit

Rocker switch operated control unit



VENSET®

Accessory for DF015: 3rd leg, DF015

This column is used in combination with the DF015 leg-set when 3-column desk frames are required. Necessary fittings are supplied along with the column.

Powder coated in silver, RAL 9006.

